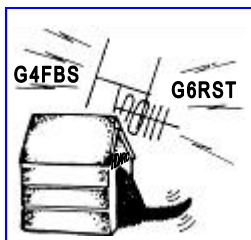


# Horndean & District Amateur Radio Club Journal

Volume 4

Number 10

*December 2019 / January 2020*



**Roger M0KWN 1948 - 2019**

Hordean & District Amateur Radio Club  
Founded in 1975

## Club President

Lt Cdr Doug Hotchkiss MBE QCB RN (ret'd) G4BEQ

## Club Officers

**Chairman** Ken Lindsay GØJWL MA  
Tel 02392 170548 e-mail: chairman@hdarc.co.uk

**Secretary** Stuart Swain GØFYX  
Tel 02392 472846 e-mail: secretary@hdarc.co.uk

**Treasurer** Bill Kenway 2EØWGK  
Tel 07976276304 e-mail: treasurer@hdarc.co.uk

## Committee Members

Membership Secretary Tel: 07976276304	Bill Kenway 2EØWGK e-mail: treasurer@hdarc.co.uk
Social Secretary & Exam Secretary Tel: 02392 785568	Julia Tribe GØIUU e-mail: juliatribe@ntlworld.com
Training Manager	Ken Lindsay GØJWL e-mail: chairman@hdarc.co.uk
Station Manager Tel: 07724048212	Chris Jacobs MØKTT e-mail: oldbikenut1@gmail.com
Editor (ex-officio)	Mike Clark MØZDZ e-mail: m0zdz.mike@gmail.com
Printer (ex-officio) Tel: 02392 256768	Peter Tagg G8PIQ e-mail: g8piq@btinternet.com
Awards Manager	Please contact Stuart GØFYX with any award applications or enquiries
Webmaster (ex-officio)	Neil Stone 2EØLNX e-mail: neil.stone@gmail.com

## Contents

Club Officers and Committee members		page 1
Contents		page 2
Editorial		page 3
Show and Tell	John M0HTE	page 4
Zero Impedance Transmitter	Rob M0RZF	page 5
Silent Key	Julia G0IU Y	page 8
Railways on the Air	Chris M0KTT	page 11
AGM	Stuart G0FYX	Page 13
Roger Skinner M0KWN	Marie Skinner	Page 17
Training	Julia G0IU Y	Page 20
Fort Access	Simon G0IEY	Page 20
Club Information		Page 21
Club News/Diary	Stuart G0FYX	Page 22
Nevada Ad.		Back Cover

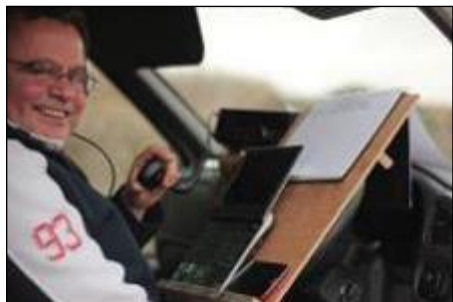
Articles, letters of interest, photographs are always needed and should be sent to the Editor :- Mike Clark. [m0zdz.mike@gmail.com](mailto:m0zdz.mike@gmail.com)

I use Microsoft Publisher to produce the journal so am happy to accept articles/photographs via email. A Word document or Picture attachment. Just use Journal article or Journal picture as the subject matter.

Opinions expressed in the journal are not necessarily those of the HDARC. The editor has the right to reproduce the articles for our affiliated club journals/newsletters. The Editor decision is always final.

**Closing date for next journal is : 3rd January 2020**

## Editorial



Hi All,

Seems strange to wishing you all a Merry Christmas and a Happy New Year, sitting at the computer at the beginning of November, but being the December edition it's only right to do so.

Roger (M0KWN) will be sadly missed within the club and there are a couple of fitting tributes in this edition.

John M0HTE kindly sent through a few details of his station (see opposite) to start off **'Show and Tell'**. Now it's your turn to send me a quick snap and description for future Show and Tell pages.

Doesn't seem possible that this year has flown by so quickly, it just leaves me to thank all those who have contributed to the journal this year and look forward to many more of you contributing through the next.

Till the next time, good DX

73 de,

Mike. M0ZDZ / G7Y  
Journal Editor HDARC

# **Show and Tell**

**John, M0HTE**

Here is a photo of my station.

Keys are (left to right) Begali classic, home brew cootie and Kent straight key. Rig sits on the dining room table (when available) and comprises Yaesu FT857D, MFJ tuner and Nevada psu. Antenna is LW for HF (going round the garden) and home brew 2m put up when required.



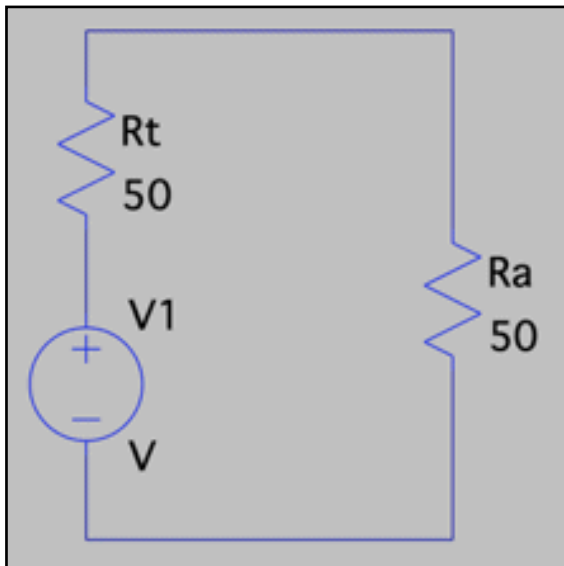
73, John M0HTE



# Zero Impedance Transmitters.

Robert Brown, M0RZF  
Equivalent Circuit


Ham radio for me is about looking at the frontiers of it. Let's do a fundamental re-think of how a transmitter works! But first, what's wrong with the transmitters we have now? The answer is in a simplified diagram of a transmitter and aerial. I use 'aerial' rather than 'antenna' to please the ghost of Richard G3AAT, who never liked the word antenna!



The transmitter makes a voltage  $V_1$ , and has internal resistance  $R_t$ . The aerial has resistance  $R_a$ . In this textbook case, the source and load are both  $50\Omega$ . Transmitter left, aerial right.

In these circuits  $V_1$  is a theoretical generator with no internal resistance.  $R_t$  is its actual resistance.

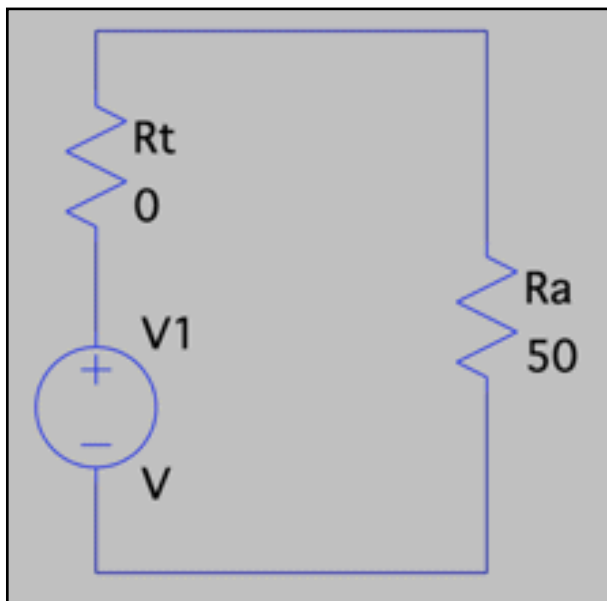
So what's wrong with it? Surely they are matched, and we have maximum power transfer as taught at college? Well yes, they are matched, but we dissipate the same energy in both resistors. Maximum power transfer is not relevant. If we put in 100W, then 50W goes to the aerial and 50W goes to heat in the transmitter. It always wastes at least 50% of valuable power!

This simple circuit shows why matching the whole of our transmitter and aerial system results in an inefficient system. If  $R_t$  is reduced to zero we "claim back" the wasted 50% and the transmitter is 100% efficient. So that's the reason for re-thinking transmitter systems. 

For example transmitting 400W from a battery powered mobile station, we use 800W. That means the battery must be at least twice as big, let alone the heatsinks and wiring inside a vehicle. A class-AB SSB transmitter is always worse than 50% efficient because as the output drops away from full power, efficiency drops also. It's not uncommon to get only 25% average.

## Zero-Z Transmitter System

'Z' is the short term for impedance, which I use from now on. An ideal transmitter-aerial circuit is shown left.



Because the transmitter has no resistance  $R_t$  (impedance) inside, it wastes no energy.

There are a few assumptions here:

The transmitter can never be really zero impedance, more on that shortly. The aerial feeder is not shown and is assumed to be low loss and part of  $R_a$ . We use the aerial near its resonant point where it looks resistive.

So, it's theoretically possible to have a near 100% efficiency transmitter. The holy grail of amateur operation both home-base and especially portable. These simple equivalent circuits show the way.

### Practical Implementation

All we need..! But the challenge of designing these circuits is formidable. You probably guess that zero-Z transmitters are not sold in ham radio emporiums as of 2019.

So all we need is a transmitter with zero output impedance...



Class-AB amplifiers as seen in textbooks and the ham radio licence manuals are the problem. They are generally designed with 50Ω outputs. So we want to get away from that. In class-AB the transistors are never fully on or fully off. So they waste a lot of energy.

Don't expect Yaesu, Icom or even Elecraft, FlexRadio to sell a black box that does any of this. They just want to make money out of what they know works, rather than research these difficult problems. It's up to amateurs to design the future.

It is possible to design a transmitter for near zero-Z and a 50Ω resistive aerial. The approach is to have a semiconductor switch at the signal frequency with low on-resistance. Switching say 14MHz with an on-resistance of a few milli-ohms has gradually become possible. There are tremendous challenges of transmitting SSB with this simple idea, beyond the basic explanations of this article.

I tested a circuit recently that generated 60W with 93% efficiency on 7MHz. Unfortunately zero-ohms is impossible, it's just a game of getting closer. During 2019 I spent much time with a circuit simulator looking at various ways to implement a near zero-Z transmitter.

The Zero-Z project is to cover 40m and 20 bands with >80% efficiency and look like a traditional class-AB amplifier. It will be some time before this sees daylight, as some of the technology is not yet available.

Someone may raise the question of SWR - how can there be low SWR when the transmitter and aerial are mismatched? The innards of the transmitter are not a transmission line so the question is not relevant. It has a 50Ω output filter. Basically between the switching element and filter there is some 'magic' to make the whole thing work with minimum loss.

Finally, I have to mention a near zero impedance transmitter which was announced as a prototype during 2019. The Polar Explorer is a 500W transmitter, visit their website <https://www.polex-tech.com/>. It's not an amplifier but a transmitter to make half your transceiver redundant - decide for yourself on the merits of that one.

I hope this article doesn't baffle people too much.

Rob, M0RZF





## SILENT KEY

On Tuesday 8<sup>th</sup> October the funeral of Roger M0KWN took place, he was one of the club's respected members. He sadly became a silent key on the 12<sup>th</sup> September after being taken to hospital in the early hours and put into an induced coma. Sadly the results from his scans and tests had come back via the consultant for which he was due to get the results within a couple of days. It was a very great shock to all of us, and to this very day is still very much missed by many of us that had the pleasure to work with him and see him outside of club activities.

The service took place at Portchester Crematorium at 13.15hrs and was attended by several club members who wished to pay their respects. Many club members, some of whom were new licence holders and had done their training with Roger, wanted to attend but due to work commitments couldn't get time off. Many club members got together with the committee to purchase a beautiful spray to go with the coffin on its travel to the chapel, and Julia designed a personalised card using Photoshop to be placed on flowers with special wording from members, candidates and committee.



The weather was good which made it all the nicer for everyone. There was no wake after so once we had spoken with Marie his XYL and family everyone departed to return home. The obituary that was read out by the vicar should hopefully be available soon so it can be included on a separate page alongside this article with photos taken by me.




In August 2012 Roger contacted me with regards a Foundation course and as a result attended the next club meeting which was held in Anders Hall off the Milton Road, Waterloo, to speak with the registered assessor and training team. A new course was starting in November, so Roger quickly put his name down to join in; the club's tutor at that time was John Ash and courses were run over two full weekends on dates agreed between tutor and candidates.

In January 2013 Roger joined the club as a SWL whilst attending training sessions and at the club meeting on March 10<sup>th</sup> 2013 the last session of the course took place with the practical tasks being completed, a photo was taken and enclosed of Roger making his first radio contact with the tutor in class. After a lunch break the examination took place followed by marking of exam papers and all candidates were given their indicative results.



Roger passed, and obtained his Foundation licence M6KWN, towards the end of March with a photo included; the Intermediate level course commenced and Roger's name was on the top of the list. The course finished with practical tasks already having been completed and Roger sat the examination with other candidates on September 2<sup>nd</sup> 2013. He received a pass and was awarded 2E0KBK; sadly 2E0KWN had already been taken.

Roger spent the remainder of 2013-2014 enjoying the hobby and making lots of new friends and contacts all around the globe. During the latter part of 2014 Roger contacted the Bath Distance Learning Group to request a place on the next course for the Advanced level as it was known as then. 

The 20+ week course started in the early part of 2015, and by the end of June candidates on that course could apply to sit the examination. One of the HDARC assessors was, and still is involved with ATV, and at that time the ATV Group had its repeater installed within the RNARS Radio Shack at HMS Collingwood.

Other HDARC members were also involved at the Shack with Nigel M0NAF, who was the HDARC Treasurer at that time and the RNARS shack manager. The building was also an RSGB registered exam centre, and to help Roger out the exam was booked to take place on the evening of June 30<sup>th</sup> 2015 with me as the lead invigilator, Simon as assistant invigilator, and Nigel who was the key holder to the building so he had to remain inside and became another invigilator. Nigel was also a valued training mentor for the HDARC and helped on whichever level required additional help to candidates.

The problem at that time with Anders Hall was that it could not accommodate exams in the evenings. We do have two other registered exam buildings but had the same problem with evening bookings.

Roger passed the exam and obtained M0KWN for which he was relieved and very happy. Sadly Nigel became a silent key soon after and in Jan/Feb of 2016 Roger asked if he could apply to become an RSGB Registered assessor as he would like to give something back to the club that he had been given. Roger took over the Foundation level and spent the next three years working in parallel with Simon running the Foundation level whilst Simon ran the Intermediate, and on odd occasions Roger kindly ran the Intermediate level for Simon when he couldn't himself attend.

Roger has put through many candidates with excellent pass results and many of those who moved away from area were saddened to hear of his passing too. Roger got involved with club activities and enjoyed working at special event stations. Morse was his love of the hobby which is why he took so much pleasure in running the Foundation course which involved him explaining the history of Morse to candidates prior to them doing the send and receive appreciation element. The candidates loved and became inspired enough to continue learning Morse both within the club and on their own at home. We owe Roger so much for this element as Morse is still used a lot by many club members when running radio contests and in general when communicating with friends overseas.

Morse should not become a thing of the past and to be left just to die away.

Julia G0IUJY  
Hon. Exam Sec



## Railways on the Air GB4MHR

### Chris M0KTT

The Railways on the Air event was held on the weekend of Sept 21/22. For the the last 3 years we have been at Medstead and Four Marks, a lovely example of a small rural station on the Mid Hants Railway, however, this year it was decided to go to Ropley, which is where the engine sheds and workshops are located

As usual we always try and set up on the Friday, and after liaising with Ian Kencherton, operations manager, we set up the equipment in the waiting room on the up platform, in the warm and dry, which was just as well considering the weather over the weekend! Antennas for VHF and HF were set up on top of the slope behind the waiting room, collinear for 2m and an off-centre fed dipole for HF. I was joined by Trevor 2E0TGJ and Alan 2E0FEZ around 2 pm, and set up was completed at 15.45.

I picked Stuart G0FYX up on Saturday morning, and we got to Ropley around 08.30. Got on the air at 09.00, first contact G3YZY on 2m, and also on 40m. Alan FEZ, Simon G0IUJ and Julia G0IEY got there at 10.30, and proceeded to set up a Morse demonstration unit outside the waiting room.

Meanwhile HF was mainly 80 and 40 metres, mostly inter G, apart from two PA stations who called in, commemorating the anniversary of Operation Market Garden (A bridge Too Far) 2m activity was pretty quiet, although one notable contact was GB4BCR, in Torquay. Inter G improved later in the afternoon, quite strong signals from Isle of Man, County Down, Gateshead and Durham. We closed down the station at 16.00.

Sunday morning Stuart and myself started ops at 09.15, and we were joined by Trevor and Bill, 2E0WGK with Frank G0LFI and XYL Christine M6UBI arriving at 11.30. The weather had worsened from 11.00, heavy rain setting in, but it eased off around midday.

2m was very slow, despite our good location at Ropley, being at over 600 feet above sea level. As before 80 and 40 were in use, contacts ranging from Dumfries through Nottingham, and down to Midsomer Norton in Somerset.

During the afternoon I managed to get a couple of trips on the steam locomotive, and had a very good lunch at Alresford, which has an excellent station cafe.

We started breaking the station down around 15.30, and made our way off site at 1600. My thanks to everyone who gave their time to the event, and especially the Operations Manager Ian Kencherton, who was extremely helpful and co-operative through the entire weekend.





# **HORNDEAN & DISTRICT AMATEUR RADIO CLUB**

**Minutes of the Annual General Meeting** held on Friday October 18th 2019 at Deverell Hall, 84 London Road, Purbrook, Waterlooville, PO7 5JU. Meeting opened at 1930. Present were: 24 members..

## **1. Apologies for absence:**

MØKTT, GØFYX

## **2. Minutes of the last AGM and matters arising.**

Agreed that these were a true reflection of events. Agreed by a unanimous show of hands.

## **3. President's Report - Doug Hotchkiss G4BEQ**

Doug welcomed those in attendance to the 44th AGM of the club. It is the most important meeting of the club's financial year, and enables the club officers to inform you of their plans, and for you, the members, to express your concerns and ideas.. He thanked the committee for all their hard work throughout the year, with special thanks going to Simon and Julia for their hard work in the training, and help in obtaining new members for the club.

Doug had three concerns: lack of membership, lack of support from members at special events, but most importantly about the health of Ken and Stuart.

He spoke about the old system of City and Guilds, and what used to happen with regards involvement in the hobby, and the relationship between members and club, so he asked members what they wanted from the club and hobby.

He then asked for younger members to step forward to understudy both Ken and Stuart, both of whom had been in post for over 25 years. With a year of helping in post, the understudy could be ready to take over at short notice should it be necessary. In conclusion, Doug said that with the help of members we can make this a better club.

## **4. Chairman's Annual Report – Ken Lindsay GØJWL**

Ken started by backing up Doug's comments, and to let the committee know what they would like the club to do. Ken then spoke about the Fort Widley site, and the help that is still needed inside the caravan, to get it finished so that operating from it can be achieved. Thank you for the help already given. The club has seen a decline in attendance at special event stations run by the club, and wanted to know if it was down to personal finances or just having the time to commit.

Data modes have become a major incorporation to the hobby now, which is easy



for the younger generation to understand, so it was important that help is given to the older members, so that they can learn and understand too. The new RSGB training material involves digital modes, so where do we as a club see ourselves in years to come? Most clubs are finding things difficult.

Ken said he would like to see more ladies become involved with the hobby of Amateur Radio. Ken then thanked each officer and committee member of the club in turn for all their help throughout the year, and that Stuart was a fantastic Secretary and without him the club couldn't run smoothly. He also stated that Stuart was a great friend. As Doug has already said, we need other people training to fill key posts, so that we have a back-up plan, and we want more members involved generally.

Ken thanked Julia and Simon for all their hard work during the year with regards training and organising social events for all to enjoy. Frank and Christine were thanked for all their help and support with regards the works at Fort/caravan, training and club raffles.

#### **5. Treasurer's Report - Bill Kenway 2EØWGK**

I will take any questions at the end. I wish to thank the Committee for their support over the year, and also wish to say thank you to Dave 2EØWHP and Frank GØLFI for getting the books signed off.

How is our financial position? Well, the balance at the beginning of the year was £4,911.57. Over the course of the year, we've had income of £5,695.86 and outgoings of £5,773.73, giving us a profit of £77.87.

Looking at the profit and loss report, it's easy to see significant differences between this year and last year, looking for example at Cost Code 4001, this year, you've bought twice as much tea, coffee and biscuits as you did last year. Raffle ticket sales continue to be a significant income source. Even when you factor in the cost of prizes, there's still a profit of around £200. Revenues around courses and exams are significantly up on last year, putting in to reality the number of people that have gone through training – to all those who have gained a new callsign, congratulations

Main destinations for expenditure are accommodation fees. The costs of maintaining Deverell & The Fort amount to £1,618. Compare that with income from membership of £1,157 it becomes clear that we are using up capital. The subs are not being raised this year, but will need monitoring.

I think I am safe in saying that there are two key saving graces for the club. These are you the members ,and without doubt the likes of Julia and Simon.



As thanks for your efforts, the committee has agreed to waive fees for the coming year for Julia and Simon. Without your unending enthusiasm in supporting the club, we would be a lot worse off.

I am heartened by the support that all of you give the club. Because of that, I have not sought an increase in membership fees for this coming year. Please don't underestimate the importance of all contributions you make, whether that is time, money or knowledge – it all complements the clubs' wellbeing.

Thank you for your efforts over this year, and for your support to me as your treasurer. I wish you all a good year ahead.

Two questions raised by Russ G4SAQ. The profit of £150 shown against training and course fees, seemed too low, and should they be raised. Julia replied that with the new syllabuses and the amount of work involved, costs were to be discussed at committee. Secondly are members getting benefit from the high costs being paid out for Fort site. Julia replied to say that the ATV group helped out with a monthly donation towards the costs. Simon, GØIEY commented that members didn't need the presence of a key holder; they could go and operate from their car, or portable to make contacts.

## **6. Club Programme for the following year**

In Stuart's absence, Julia GØIUY read out the remaining agenda for 2019, which included the visit to the Clanfield Observatory on October 29th, and the December 6th meeting for the quiz and mince pies evening. The quiz will again be capably run by Julia and Christine M6UBI. The Christmas meal at The Crofton is on Thursday December 12th. No club meeting on December 20th. The 2020 programme is being put together, and the weekly emails will give details. Club members were encouraged to think about giving a talk to the club.

## **7. Election of club officers.**

Ken Lindsay GØJWL was elected as Chairman, Stuart Swain GØFYX was elected as Secretary, Bill Kenway 2EØWGK was elected as Treasurer, all duly proposed and seconded, and elected by a unanimous show of hands.

## **8. Election of committee members.**

The following were elected to the committee, all duly proposed and seconded, and elected by a unanimous show of hands: Julia Tribe GØIUY and Chris Jacobs MØKTT.





## 9. Presentation of club awards.

9.1 Constructors award - novice. Won by Paul Davies 2EØPOC, for his alarm clock project..

9.2 Constructors award - intermediate - Won by Jon Platt 2EØVVX, for his frequency counter/crystal checker.

9.3 Constructors award - expert. Won by Simon Tribe GØIEY for his solar panel controller.

9.4 The Sid Jenkins Memorial Trophy (Club project 2019). There were no entries, so it was decided to carry this over to 2020.

9.5 The HDARC trophy. Won by John Taylor MØHTE.

9.6 The John Taylor-Cram Scribe Award. Won by Ralph Heslop for his article 'Diary of a new boy'. A special runner-up certificate was awarded to Russ Tribe G4SAQ for his 'Automatic Rotator Controller' article.

9.7 The G4BEQ CW achievement award. Presented to John Taylor MØHTE.

9.8 The Mike Matthews Award. Presented to Mick Puttick G3LIK.

9.9 The Alan Blake Memorial Trophy, donated by Alan's family - awarded for contribution of significant training services over the year, and decided by the committee. Awarded to Simon Tribe GØIEY.

9.10 The Harold Newton award. Presented to Frank Cotton GØLFI for his support of the club in several club activity areas.

Certificates of merit to: Christine Cotton M6UBI, Daniel Cooper M7WSJ, Trevor Jones 2EØTGJ and Alan Waller 2EØFEZ.

The AGM finished at 2040.

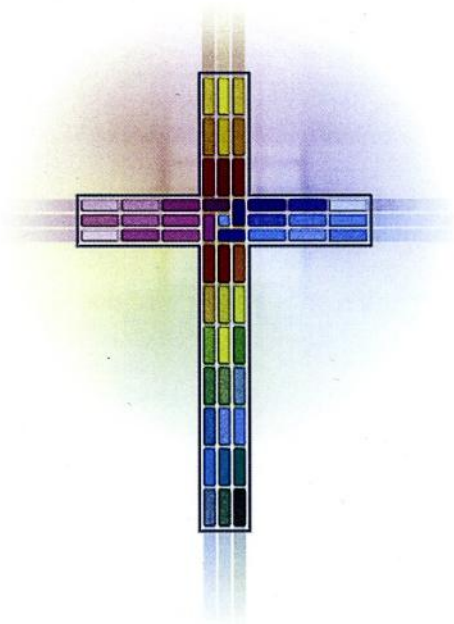
SWS/29.10.19

Due to lack of space in this issue of the journal, it has not been possible to include photos taken at the AGM. These will be included in the next issue. Apologies.



TO CELEBRATE THE LIFE OF  
**ROGER GRAHAM SKINNER**

8TH FEBRUARY 1948 – 12TH SEPTEMBER 2019



FUNERAL SERVICE AT  
PORTCHESTER CREMATORIUM

TUESDAY 8TH OCTOBER 2019  
1.15 PM



## **A TRIBUTE TO ROGER MOKWN**

By kind permission of Marie his XYL

The following article includes abstracts taken from his obituary that was read out at the service. The entrance music was "BAKER STREET" by Gerry Rafferty.

On behalf of Marie, it will be my privilege to say a few words which reflect and celebrate Roger's life. Each of you will remember him in your own special way, so these are just a few snapshots of memories of a life that simply cannot be summarised in just a few short words.

His story began in Islington on the 8<sup>th</sup> February, 1948, but he spent his formative years growing up in Bishops Stortford where he attended the local schools. Having left in his final year, Roger worked for the AA as a route compiler before joining the RAF at the age of 18 as a ground photographer. It was whilst in the RAF that Roger first met Marie when he picked her father up from work who was also serving with the RAF.

After postings in Cyprus, Libya and Hong Kong, Roger and Marie met up again and married in 1971 in Saffron Walden and it began a wonderful togetherness that was to take them through 48 years of married life, sharing many special times together. Many of which were spent travelling to Orlando where for 21 years they spent their holidays and in between visiting Hong Kong and Singapore, places they had both loved during their RAF days and it was also a chance for Roger to collect some postcards and Chinese pottery as he had always shown a keen interest in Chinese history. After twelve years of service Roger left the Air Force and found his niche in life as a technical photographer for Portsmouth City Council and endured many fascinating experiences during his time there. From behind the lens of a camera, Roger captured many photographs of Royal Visits, iconic moments of the D-Day story which was displayed in the D-Day Museum, and the pinnacle of his career must have been waiting to seize that momentous occasion when the Mary Rose was lifted to the surface having lain dormant at the bottom of the Solent for 437 years.

Roger lived and enjoyed his life to the full and made the most possible out of every situation. He was well-liked and respected by everyone, which is evident in the many cards and messages Marie received which have brought great comfort to her at this sad time in her life.

Roger's professional life was lived with the same passion as his personal life. Not only was photography his job it was also a hobby and one which gave him great pleasure having been able to develop his own photographs from a darkroom set up in his mother-in-law's kitchen.



Roger was someone who progressed with the times and was technically astute with modern technology. He loved a gadget or two, and inherited the nickname of "Gadget Man" from his friends. Even his car had all the latest gadgets and Roger knew how to work them all!!!

When he retired from the council as a housing officer in 2010 it was a chance to pursue many new pastimes. Whatever the challenge, whatever the event, Roger was always there in full force and as one hobby faded, another reared itself, but whatever it was, he always gave it the full face of the bat. He simply didn't know any other way, which was evident when he took up Pistol Shooting in the 1980's with his father-in-law Hugo. Beginning with a .22, Roger soon moved up to .38 and even the largest .44 magnum, winning many awards. But not so many awards for the mess he created when making his own black gunpowder in Marie's kitchen!!

When pistol shooting came to an end, Roger's interest turned to Hornby Dublo Gauge railways. It was a passion he shared with his good friend Mick. He belonged to Chichester District Model Engineering Club, and was inspired to set up his own modern railway and steam trains that he built himself. Roger was one of those rare people that could talk intelligently and confidently to any person on any subject which endeared him to many people. No more so than when he joined Horndean & District Amateur Radio Club in 2012 when his interest in technology, sound, tweaking of knobs became the foundation of his latest hobby as an amateur radio enthusiast allowing him to communicate with others who shared the same interest locally and all over the world. In 2015 he obtained his full licence and one year later became an assessor and trainer of Morse code.

In life, it is not always about how long you live for, but how well you live in the years that have been given to you. Today, we can say farewell to Roger knowing that he lived each one of 71 years to the full, and in return has gifted you all with so many happy memories, you will cherish forever. He will be deeply missed for the true gentleman that he was and who has left behind a legacy of positivity, love and commitment and enduring respect from all who were privileged to have known him.

The service was then followed by the reflection on Roger's life with the music "GOD ONLY KNOWS" by the Beach Boys. Following this, it was time in the service when those who attended could stand for prayers and say their final goodbyes to Roger. The congregation was seated followed by the closing words and requiem of Robert Louis Stevenson.

**The Closing Music "I GET AROUND" by the Beach Boys" was recorded for the first holiday in Orlando with friends, so it seems appropriate today that we play it one last time for Roger as he takes his final journey.**

Marie Skinner 

## Training 2020

As a follow on to the last journal, Julia the Exam Secretary has been inundated with enquiries re Foundation courses as there is no one else local offering help. In total 5 students have come forward with 3 being members of the Fareham Radio club.

After discussions with the training team, Rod GOERS who was once an instructor for the RSGB under the old City & Guilds system has kindly offered his help to the training team and club by mentoring the candidates.

It has been agreed that starting from Mid-January, weather permitting and no snow blizzards cancelling club night, that he will start a course for this level. As we are restricted on numbers in the room we are very close to cut off so any other enquiries if over limit may have to be put onto a new waiting list.

The PowerPoint will be updated over the next few months to cater for the changes within the Foundation level syllabus to enable Rod to continue happily.

The practical tasks will be carried out as soon as the registered assessor is free as we only have one left within club now and he will be busy working on a new Full licence PowerPoint. A course with 9 candidates waiting is one of the biggest groups in this level yet the HDARC has had to deal with.


Julia GOIUY, Hon. Exam Sec

---

### ACCESS TO FORT WIDLEY.

I mentioned during the Club's AGM on the 18<sup>th</sup> October that access to Fort Widley was available to 'Paid up Club Members'. So I thought a little explanation as to access would be helpful. Access can be made during the hours of 08:00 to 20:00 7 days a week. Outside of those hours, the entrance gates are locked. Members should have their club membership card with them in case they are asked to prove who they are/which organisation they belong to. The fort is located on Portsdown hill and off the road which runs along the hill. The entrance to the fort is the East one (nearest to the Churchillian Pub). Parking is within the fenced off area outside the fort entrance. Entrance is via the iron gated arch. Please park sensibly as this is a busy fort used by many companies as well as horses. The Club has a pitch on the parade ground which is at high level and approached via a sloping roadway/ramp, visible from the gate by looking at about 15 degrees to the left. There is a farm type 5 bar gate at the bottom of the slope. NOTE there are animals loose around the parade ground including sheep, goats, foxes, rabbits and various birds and wild flowers (some on the protected list), on the grass banks so in particular, dogs should not be taken. The Club's pitch is almost opposite the top of the ramp. Portable operation can be made without a committee member in attendance as club equipment will not be used. The Club does have the caravan, trailer mast, and shed for use on organised operation days when a minimum number of 4 members at least 1 of which shall be a committee member are required due to health & safety club rules. Please act sensibly whilst on the fort grounds, there is CCTV in operation so the good name of the Club must be protected.

Thank you..

Simon GOIEY. 

## ***Horndean & District A.R.C Information.***



**Club Call signs**    ***G4FBS (Held by MØKTT); G6RST (Held by G4WQZ)***

**Club Website**        ***http://www.hdarc.co.uk***  
*(Maintained by Neil 2E0LNX )*

**Club Groups.io site**    *Administrator is Stuart GØFYX*

**Club Facebook Page**    <https://www.facebook.com/hdarc1975/>

**Club Twitter Account**        @HorndeanARC

**Club Meetings**        *Held at Deverell Hall, 84 London Rd, Purbrook,  
Waterlooville, Hants. PO7 5JU, on the 1st and  
3rd Friday of each month. Commencing at 1900.*

**Club Nets**                ***All times are local and frequencies plus/minus QRM.***

**Sunday**                    *0900 CW until about 0930 then SSB on 1950 kHz.  
Net controller:- Stuart GØFYX*

*2000 FM 433.450 MHz  
Net controller:- John G4WQZ*

**Monday**                    *1930 SSB 1950kHz  
Net controller:- Stuart GØFYX*

**Wednesday**                *1930 FM 145.375 MHz  
Net controller:- John G4WQZ*

### **Club Membership**

***Joining fee £2 . Annual fee £26. Those aged 10-18 pay half this rate, and under 10's have free junior membership. For Europe and rest of the World fees please contact the Membership Secretary. All annual fees payable on November 1st. If fees not paid by the following January 31st, membership is ended.***

## News of club members

Congratulations to all trophy, award and certificate winners at the AGM. The minutes are included in this issue of the club journal. Photos will be in the next issue. If you have any questions about the AGM, please contact one of the committee.

Club subs for 2019-2020 were due from November 1st. Still £26 for members, with those aged 10-18 years of age paying £13.

## Diary

Friday December 6th - Club night with Mince Pies + a quiz.  
Our quiz mistresses are Julia GØIUY and Christine M6UBI.

\*\*\*\*\*THERE IS NO CLUB MEETING ON DECEMBER 20th\*\*\*\*\*  
\*\*\*\*\*A Merry Christmas and Happy New Year to all readers\*\*\*\*\*

## **2020**


Friday January 3rd - Club night  
Saturday January 4th - RSGB AFS CW contest 80m/40m 1300-1700.  
Sunday January 12th - RSGB AFS Data contest 80m/40m 1300-1700  
Friday January 17th - Club members' 10-minute talks  
Saturday January 18th - RSGB AFS SSB contest 80m/40m 1300-1700

## This 'n' that

The club project for 2019 attracted no entries by the closing date of September 6th. Therefore it was decided to carry this over to 2020, with the closing date of early September 2020, so you now have plenty of time to build this. A reminder that you need to make an RF Earth Tuner (Artificial Earth). If you need details, please contact Julia or Simon.

Need CW practice? - contact John MØHTE via [john.taylor177@ntlworld.com](mailto:john.taylor177@ntlworld.com)

As 2019 winner of the HDARC trophy, John MØHTE chose the phrase for 2020. It is **HDARC FOUNDED MCMLXXV ENCOURAGES MEMBERS IN THE PROFICIENT USE OF TELEGRAPHY** . Qualifying period is October 1st 2019 to September 30th 2020. Work different stations, the last letter of whose callsign makes up the phrase . Closing date for log book extract entries to Stuart GØFYX is October 2nd 2020.

For the AFS contests mentioned above, you can operate from home and your score counts as part of the HDARC team score. Why not have a go, and make a few contacts? Submit logs via the RSGB HF contest website, or to GØFYX. 



# OPEN DAY

**SUNDAY  
17 NOVEMBER  
10am - 4pm**



**Make a note in your diary!**

- Hundreds of bargains
- Tour our warehouse
- Manufacturers displays
- Many 'one off' clearance lines
- Plus live displays
- Plenty of food and drink



**over 20,000 items in stock!**

**BIGGER CHOICE • BETTER SERVICE • FAST DELIVERY • BEST UK PRICES**



**YAESU  
FT-991A**

**£1189.95**

**Full coverage HF/VHF/UHF Transceiver**

- 100W HF/6m, 50W 2m & 70cms
- Touch screen colour display
- Great for portable or base station use



**YAESU  
FTdx-101D**

**GENEROUS  
Part X  
CALL NOW!  
£3149.95**

**SDR HF/50/70MHz 100W Transceiver**

- Touchscreen Display
- Outstanding RX performance

**FTdx101MP ...New 200W version now in stock...£4199.95**



**ICOM  
7300**

**USUAL PRICE  
£1199.95**

**Top selling HF/50/70MHz 100W SDR Transceiver**

- Touchscreen TFT display
- Auto ATU • All Mode
- 101 memory channels (99 regular + 2 scan edge ch)



**ICOM  
7610**

**USUAL PRICE  
£2999.95**

**SDR HF+6m 100W Transceiver**

- Widescreen Display
- Dual receiver • Auto Tuner
- 7-inch wide, touch screen colour liquid crystal display



**ICOM  
9700**

**USUAL PRICE  
£1795.95**

**Latest Technology**

- 2/70/23cms Transceiver • All Mode
- Direct sampling • D star
- 100/75/10W • Touch screen control



**CREATE ROTATORS**

**High Quality Japanese  
manufacture with controller**

- RC5-B3 ..Heavy-duty w/pre-set.....£1289.95
- RC5A-3 ..Heavy duty w/pre-set.....£899.95
- RC5-3 ..Medium/HD w/pre-set.....£679.95
- RC5-1 ..Medium duty .....£569.95
- MC-2 ..Set of mast clamps .....£114.95

# nevada®

## www.nevadaradio.co.uk

**023 9231 3090**

• Unit 1 • Fitzherbert Spur • Farlington • Portsmouth • Hampshire • PO6 1TT

MUCH MORE on our WEBSITE 24/7 Showroom Opening Hours: Monday - Friday 9AM - 5:30PM Closed Saturday